

2R50ER

Trituratori industriali
Industrial shredders



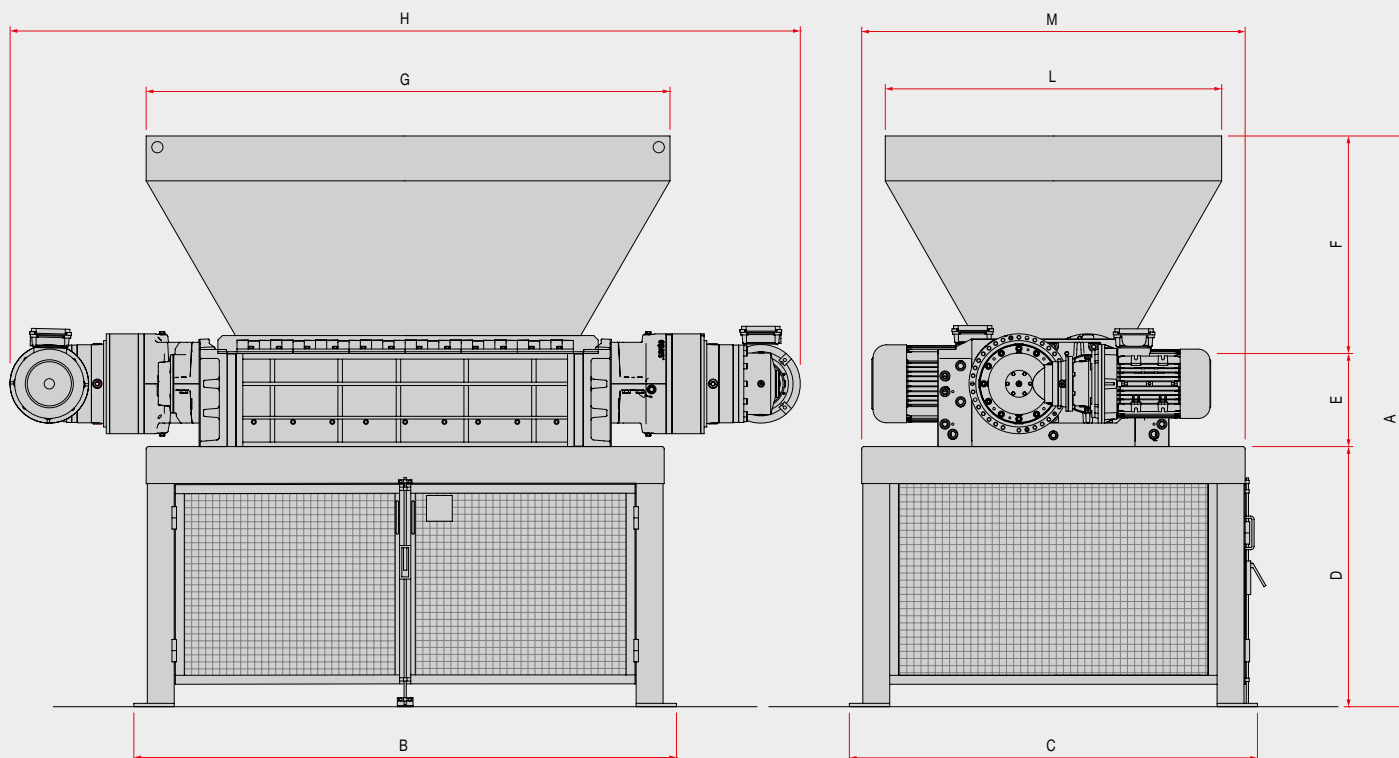
2 alberi / Azionamento elettrico

2 shaft / Electric drive

37 kW

2R50ER

Made in Italy 








Dimensioni - Dimensions

Modello Model	A mm	B mm	C mm	D mm	E mm	F mm	G mm	H mm	L mm	M mm
2R10/50ER	2545	1920	1820	1160	415	970	1840	3030	1500	1710
2R13/50ER	2545	2170	1820	1160	415	970	2090	3280	1500	1710
2R15/50ER	2545	2420	1820	1160	415	970	2340	3530	1500	1710

Dati tecnici - Technical data

Modello Model	Camera di lavoro Shredding chamber	Spessore lame Blades thickness	Potenza Power	Peso Weight
2R10/50ER	1008x850 mm	30 - 50 mm	37 (18,5 +18,5) kW	5400 kg
2R13/50ER	1258x850 mm	30 - 50 mm	37 (18,5 +18,5) kW	6000 kg
2R15/50ER	1508x850 mm	30 - 50 mm	37 (18,5 +18,5) kW	6600 kg

Applicazioni - Applications

 Plastica Plastics	600-1600
 Rifiuti industriali Industrial scraps/waste	800-2500
 Pneumatici auto Car tyres	2000-2500
 Rifiuti solidi urbani Municipal solid waste	1000-2500
 Fusti di metallo Metal drums	60-100 pcs/h
Materiale - Material	kg/h