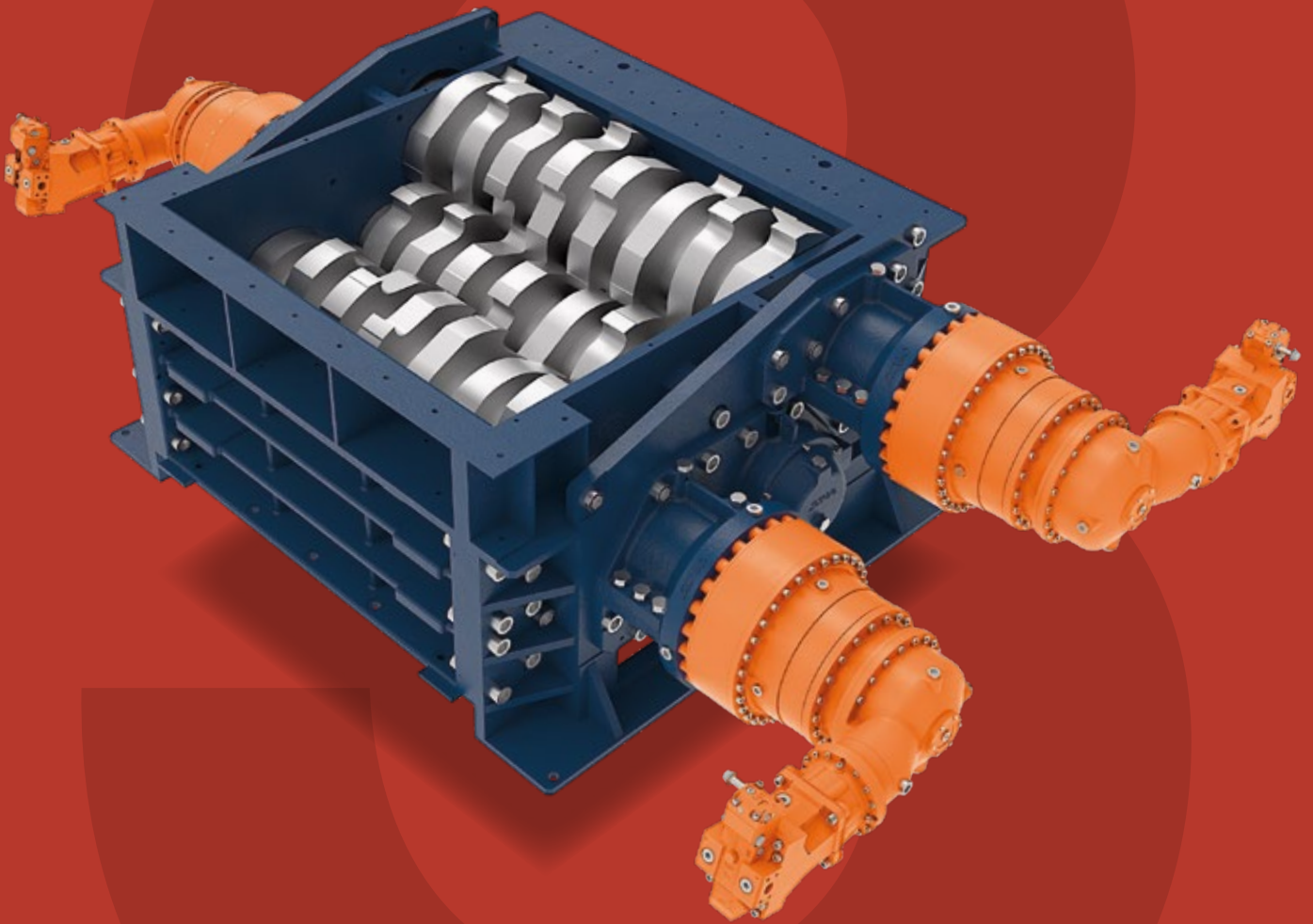


3R320

Trituratori industriali
Industrial shredders

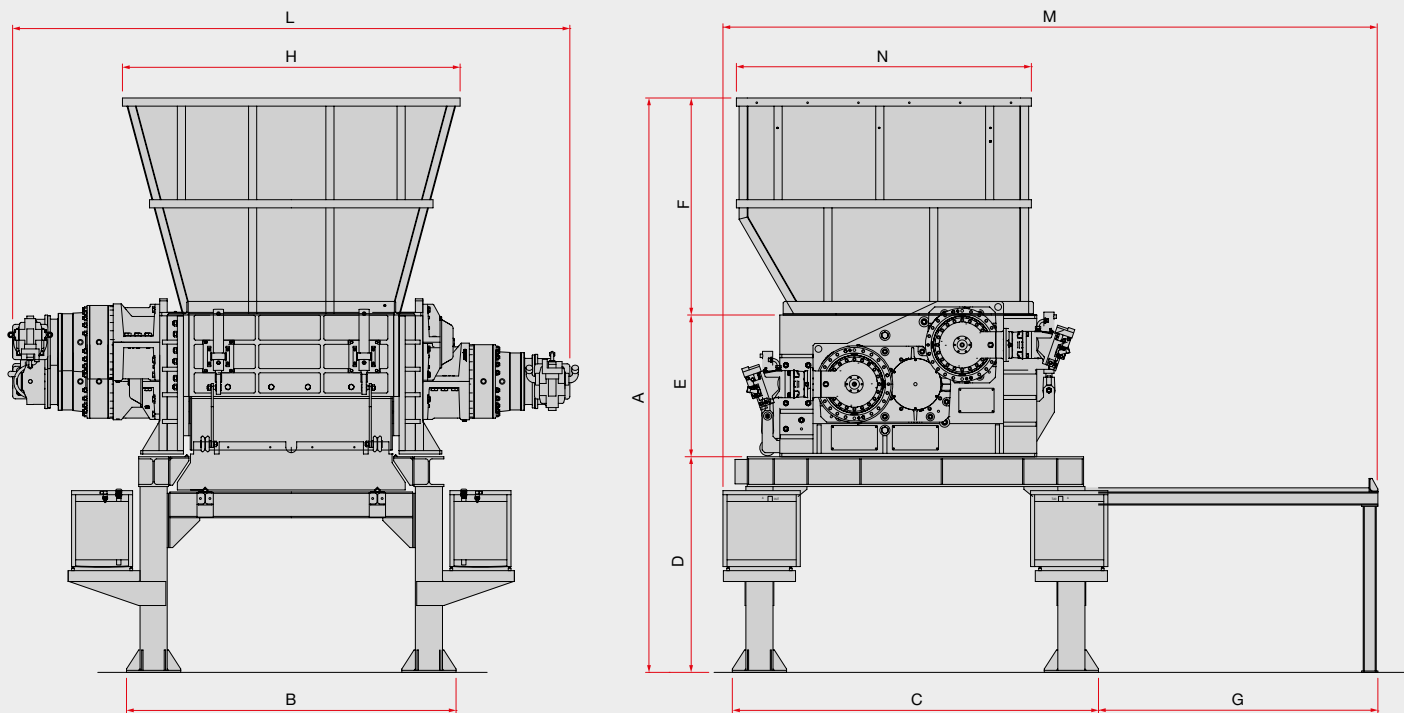


3 alberi / Azionamento idraulico
3 shaft / Hydraulic drive

235 kW

3R320

Made in Italy 





Dimensioni - Dimensions

Modello Model	A mm	B mm	C mm	D mm	E mm	F mm	G mm	H mm	L mm	M mm	N mm
3R15/320	4235	2430	2700	1590	1045	1600	2060	2490	4110	4830	2175
3R20/320	4235	2880	2700	1590	1045	1600	2060	2940	4560	4830	2175

Dati tecnici - Technical data

Modello Model	Camera di lavoro Shredding chamber	Spessore lame Blades thickness	Potenza Power	Peso Weight
3R15/320	1500x1250 mm	50 - 75 mm	235 (160+75) kW	16000+1620+2580 kg
3R20/320	1950x1250 mm	50 - 75 mm	235 (160+75) kW	18500+1620+2580 kg

Applicazioni - Applications

	Rifiuti ospedalieri Hospital waste	2000-6000
	Plastica Plastics	2000-5000
	Rifiuti industriali Industrial scraps/waste	2000-7000
	Rifiuti solidi urbani Municipal solid waste	3000-10000
	Rifiuti elettronici WEEE	2500-6000
Materiale - Material		kg/h