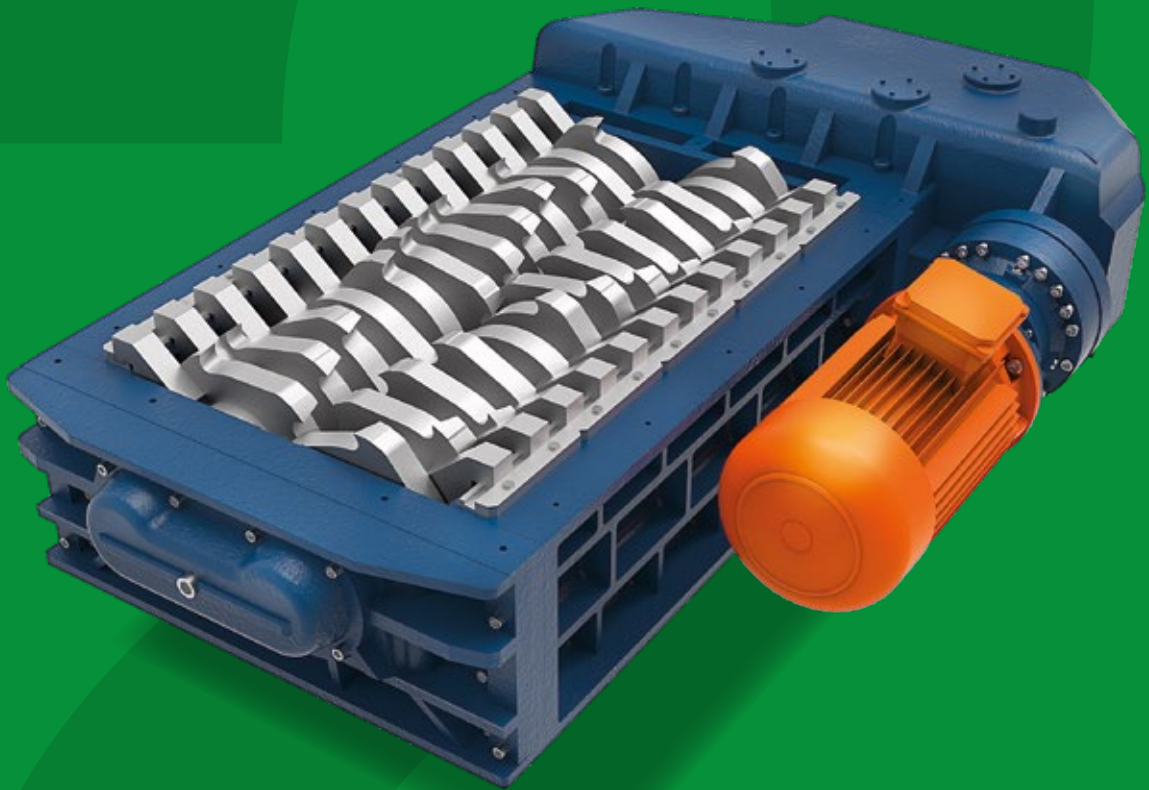


K30

Trituratori industriali
Industrial shredders



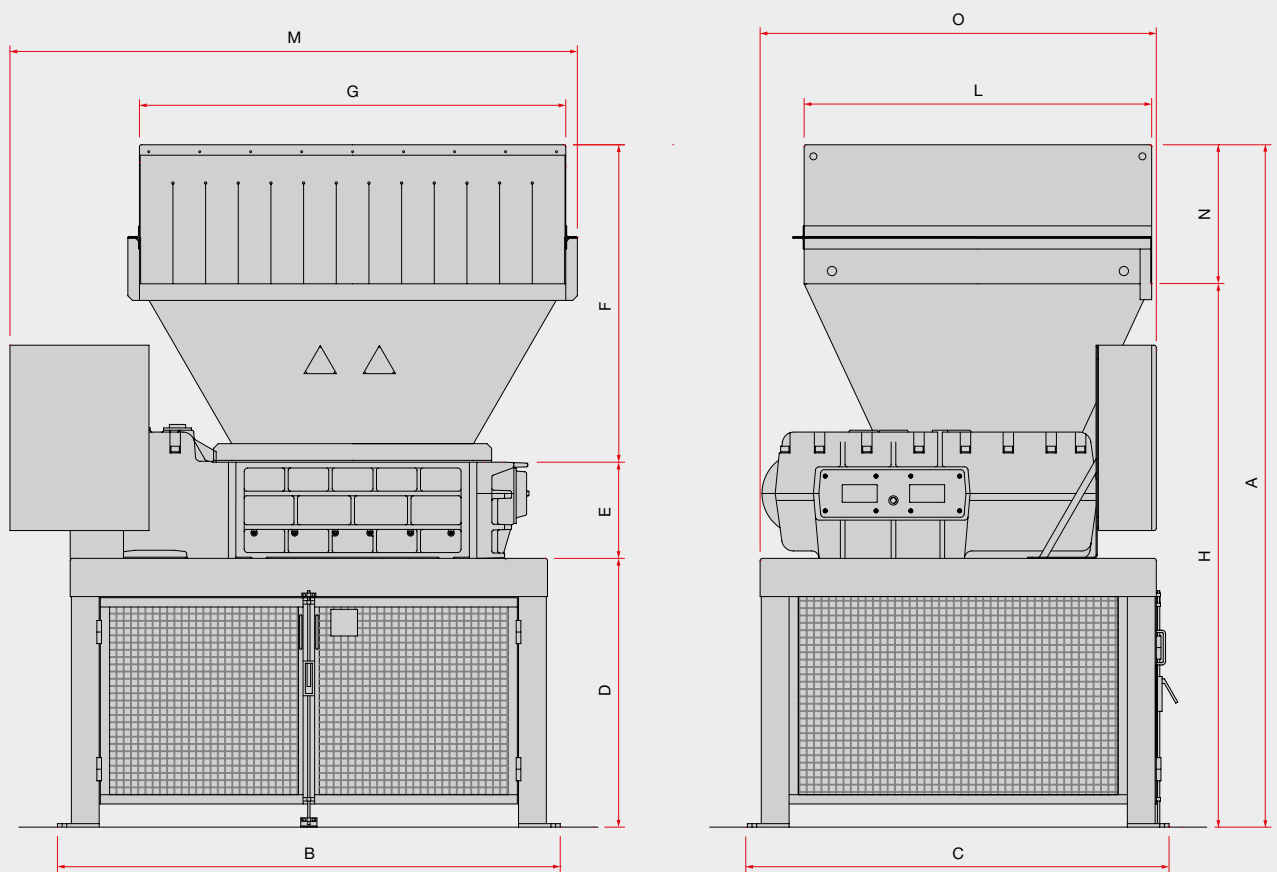
2 alberi / Azionamento elettrico

2 shaft / Electric drive

22 kW

K30

Made in Italy 







Dimensioni - Dimensions

Modello Model	A mm	B mm	C mm	D mm	E mm	F mm	G mm	H mm	L mm	M mm	N mm	O mm
K8/30	2945	2070	1820	1160	415	1370	1590	2345	1500	2225	600	1710
K10/30	2945	2170	1820	1160	415	1370	1840	2345	1500	2450	600	1710
K13/30	2945	2420	1820	1160	415	1370	2090	2345	1500	2700	600	1710

Dati tecnici - Technical data

Modello Model	Camera di lavoro Shredding chamber	Spessore lame Blades thickness	Potenza Power	Peso Weight
K8/30	758x850 mm	30 - 50 mm	22 kW	3600 kg
K10/30	1008x850 mm	30 - 50 mm	22 kW	4000 kg
K13/30	1258x850 mm	30 - 50 mm	22 kW	4400 kg

Applicazioni - Applications

 Plastica Plastics	500-900
 Rifiuti industriali Industrial scraps/waste	600-2000
 Pneumatici auto Car tyres	1200-1700
 Fusti di plastica (200-220 L) Plastic drums (200-220 L)	50-80 pcs/h
Materiale - Material	kg/h