

# 4R150

**Trituratori industriali**  
Industrial shredders

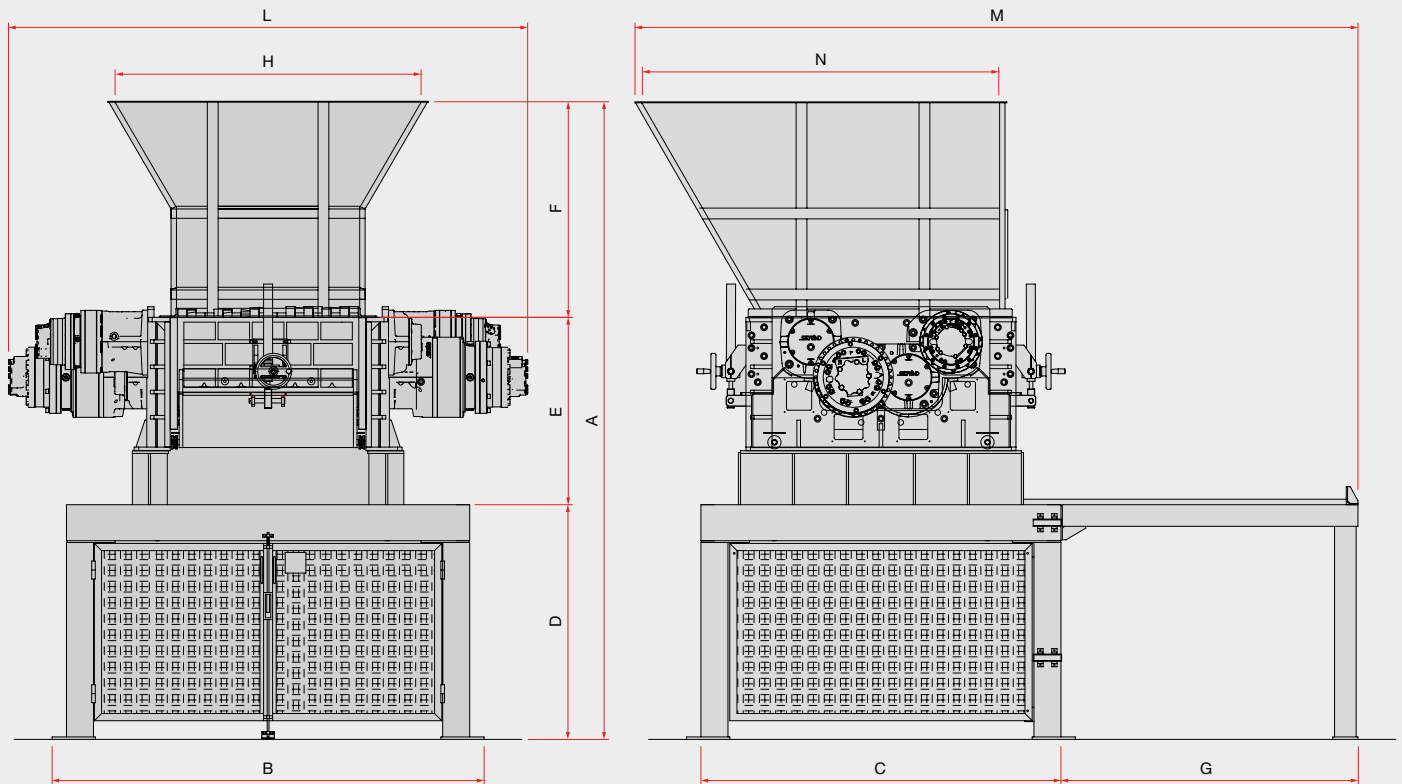


**4 alberi / Azionamento idraulico**  
4 shaft / Hydraulic drive

**110 kW**

# 4R150

Made in Italy 



## Dimensioni - Dimensions

Modello Model	A mm	B mm	C mm	D mm	E mm	F mm	G mm	H mm	L mm	M mm	N mm
<b>4R10/150</b>	3550	2400	2000	1300	1040	1200	1640	1700	2885	4015	1980
<b>4R13/150</b>	3550	2650	2000	1300	1040	1200	1640	1950	3135	4015	1980

## Dati tecnici - Technical data

Modello Model	Camera di lavoro Shredding chamber	Spessore lame Blades thickness	Potenza Power	Peso Weight
<b>4R10/150</b>	1008x1140 mm	30 - 50 mm	110 (55+55) kW	8150+2180 kg
<b>4R13/150</b>	1258x1140 mm	30 - 50 mm	110 (55+55) kW	9650+2180 kg

## Applicazioni - Applications

	<b>Rifiuti ospedalieri</b> Hospital waste	2000-3000
	<b>Plastica</b> Plastics	2000-3000
	<b>Rifiuti industriali</b> Industrial scraps/waste	2000-3500
	<b>Rifiuti solidi urbani</b> Municipal solid waste	2000-4000
	<b>Rifiuti elettronici</b> WEEE	2000-3000
<b>Materiale - Material</b>		<b>kg/h</b>