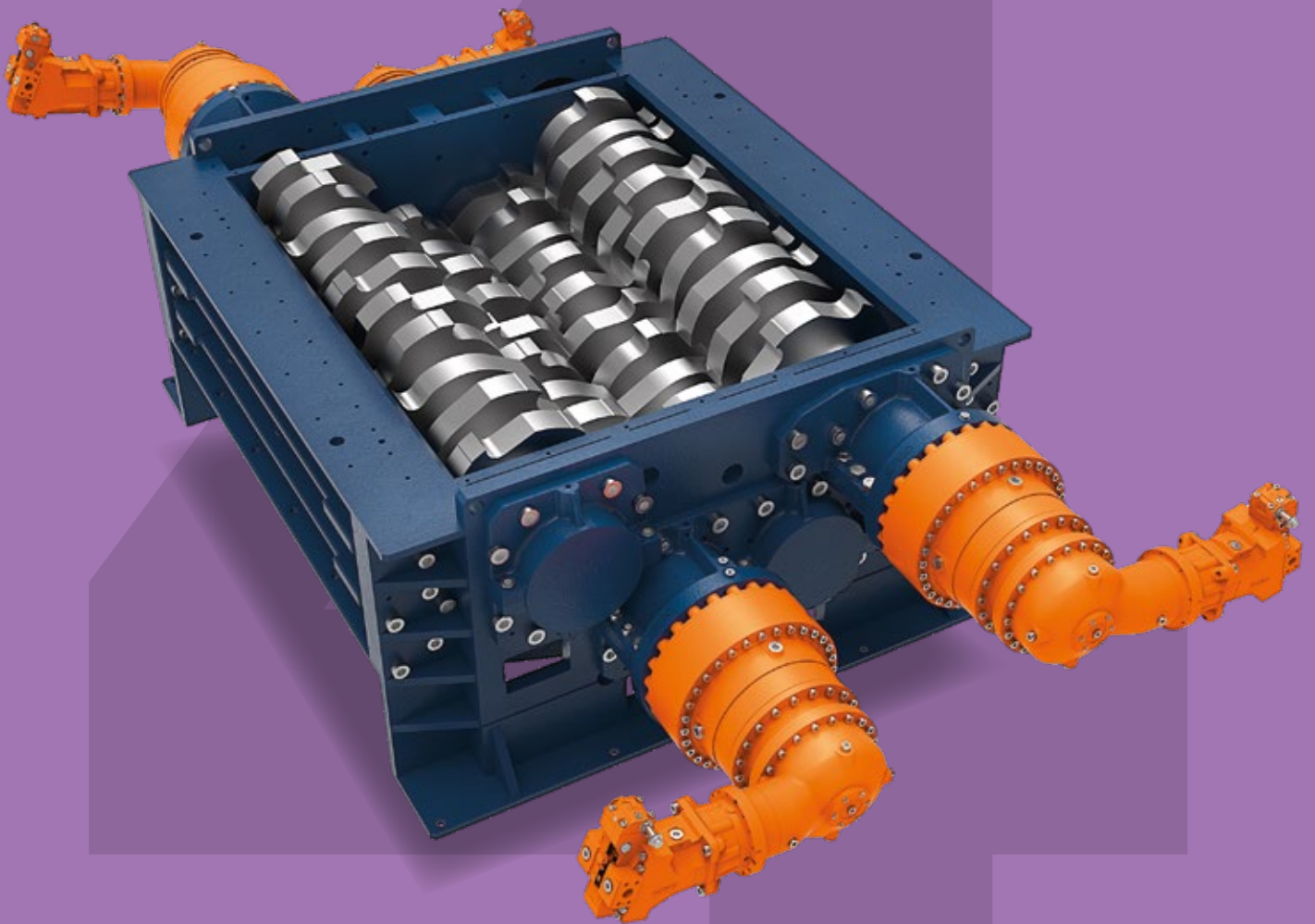


# 4R400

**Trituratori industriali**  
Industrial shredders

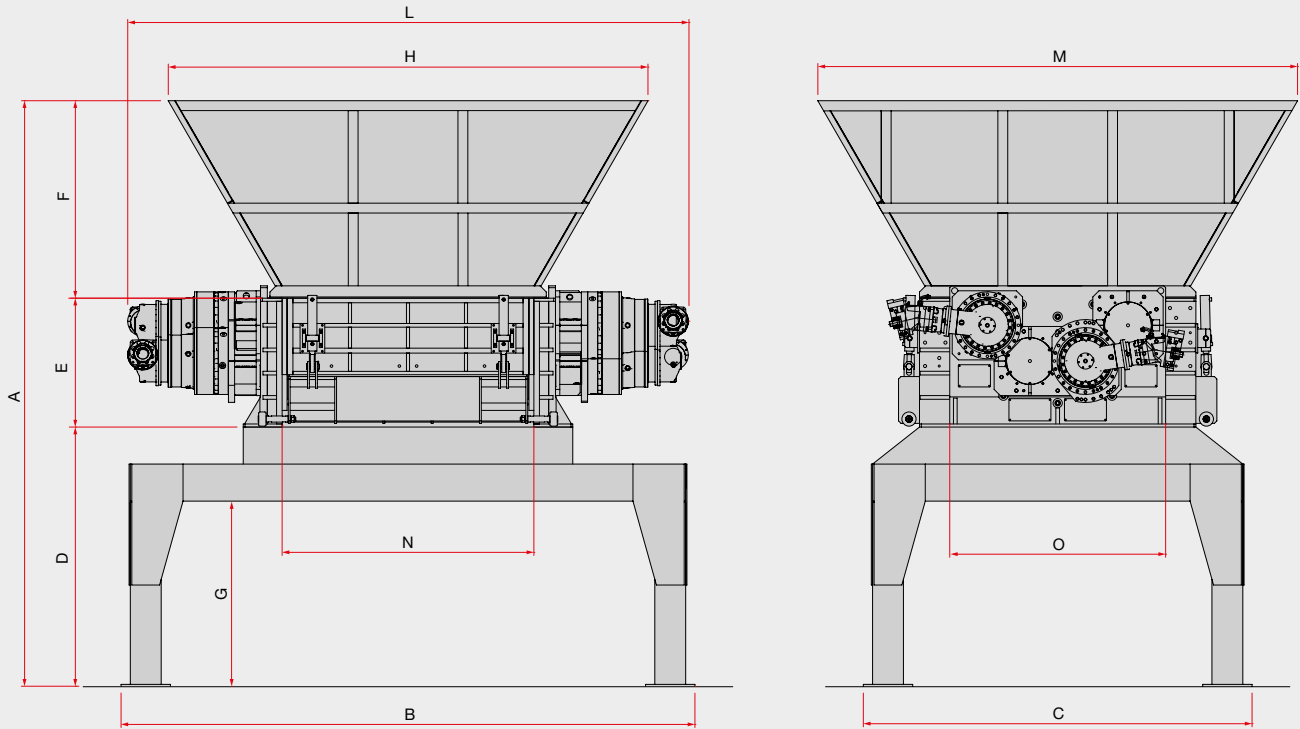


**4 alberi / Azionamento idraulico**  
4 shaft / Hydraulic drive

**320 kW**

# 4R400

Made in Italy 







## Dimensioni - Dimensions

Modello Model	A mm	B mm	C mm	D mm	E mm	F mm	G mm	H mm	L mm	M mm	N mm	O mm
<b>4R15/400</b>	4745	4200	3150	2100	1045	1600	1500	3440	4100	3890	1590	1750
<b>4R20/400</b>	4745	4650	3150	2100	1045	1600	1500	3890	4550	3890	2040	1750

## Dati tecnici - Technical data

Modello Model	Camera di lavoro Shredding chamber	Spessore lame Blades thickness	Potenza Power	Peso Weight
<b>4R15/400</b>	1510x1690 mm	50 - 75 mm	320 (160+160) kW	21000+2410+2410 kg
<b>4R20/400</b>	1960x1690 mm	50 - 75 mm	320 (160+160) kW	25000+2410+2410 kg

## Applicazioni - Applications

	<b>Rifiuti ospedalieri</b> Hospital waste	3000-8000
	<b>Plastica</b> Plastics	3000-7000
	<b>Rifiuti industriali</b> Industrial scraps/waste	3000-10000
	<b>Rifiuti solidi urbani</b> Municipal solid waste	5000-15000
	<b>Rifiuti elettronici</b> WEEE	3500-8000
<b>Materiale - Material</b>		<b>kg/h</b>